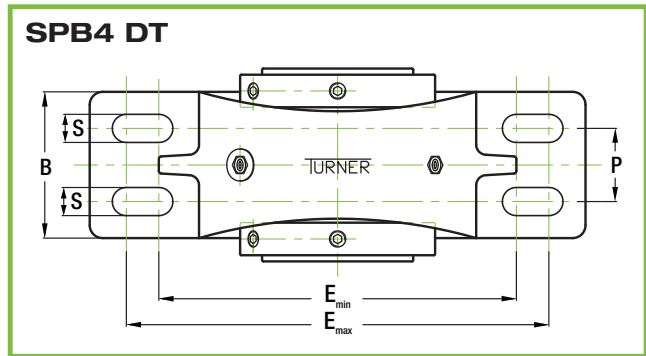
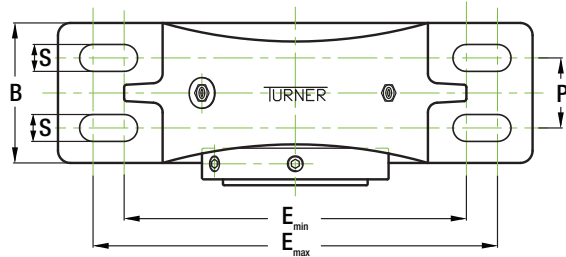
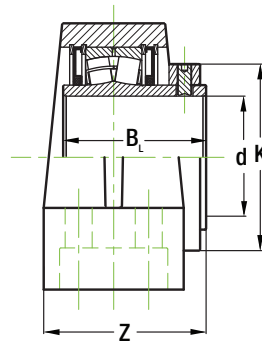
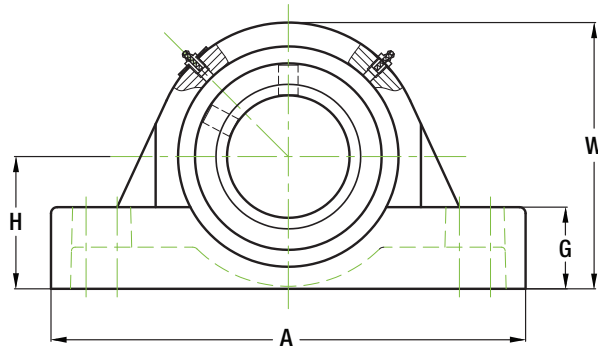


SPB4 SERIES

SPHERICAL ROLLER BEARINGS



Bearing Number	Dimensions (in)													Dynamic Load Capacity Cr (lbs.) (KN)	Static Load Capacity Cor (lbs.) (KN)
	d	H	A	E _{min}	E _{max}	B	S	P	G	W	Z*	B _L	K		
SPB4 2-7/16T	2-7/16	2.750	9.250	6.875	7.625	3.250	0.531	1.750	1.750	5.688	3.750	3.375	4.000	37,630 167.4	46,960 208.9
SPB4 2-15/16T SPB4 2-15/16DT	2-15/16	3.250	10.438	7.875	8.375	3.750	0.688	1.875	2.250	6.438	4.250	3.625 4.750	4.500	41,590 185.0	53,050 236.0
SPB4 3-7/16T SPB4 3-7/16DT	3-7/16	3.750	13.000	9.250	10.750	3.875	0.866	2.000	2.250	7.500	4.531	4.031 5.185	5.125	63,280 281.5	84,100 374.1
SPB4 3-15/16T SPB4 3-15/16DT	3-15/16	4.250	15.250	11.000	13.000	4.500	0.866	2.250	2.625	8.563	5.219	4.594 5.938	6.000	84,410 375.5	112,580 500.8

*Dimensions listed are for non-expansion units, for expansion type, adjust +/- 0.050".

TURNER

Mounted Bearings

Turner mounted bearings are a product of Baart Industrial Group (Baart). While Baart has tried to ensure the accuracy of the information contained in this document, Baart accepts no responsibility for inaccurate in, or changes to, such information. All rights reserved. ©2018